

Installation

NETGEAR®

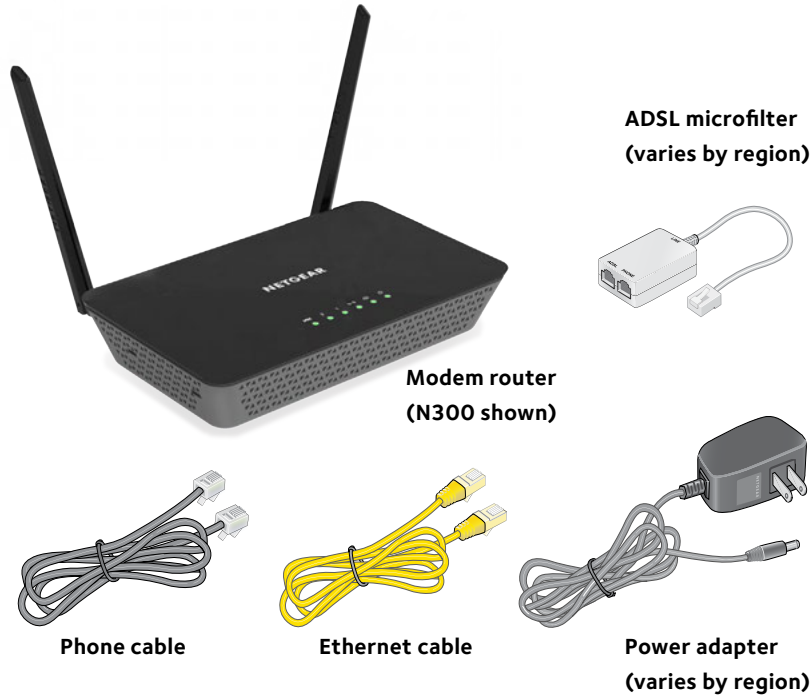
N150 WiFi DSL Modem Router—Essential Edition

Model D500

N300 WiFi DSL Modem Router—Essential Edition

Model D1500

Package Contents



1. Connect the modem router to the Internet.

You can connect the modem router either to a DSL service or to a cable or fiber modem.

To connect the modem router to a DSL service:

- Install an ADSL microfilter between the phone line and the phone.
- Use a phone cable to connect the microfilter to the gray ADSL port on the modem router.


For additional information about connecting to a DSL service, see the other side of this installation guide.

To connect the modem router to a cable or fiber modem:

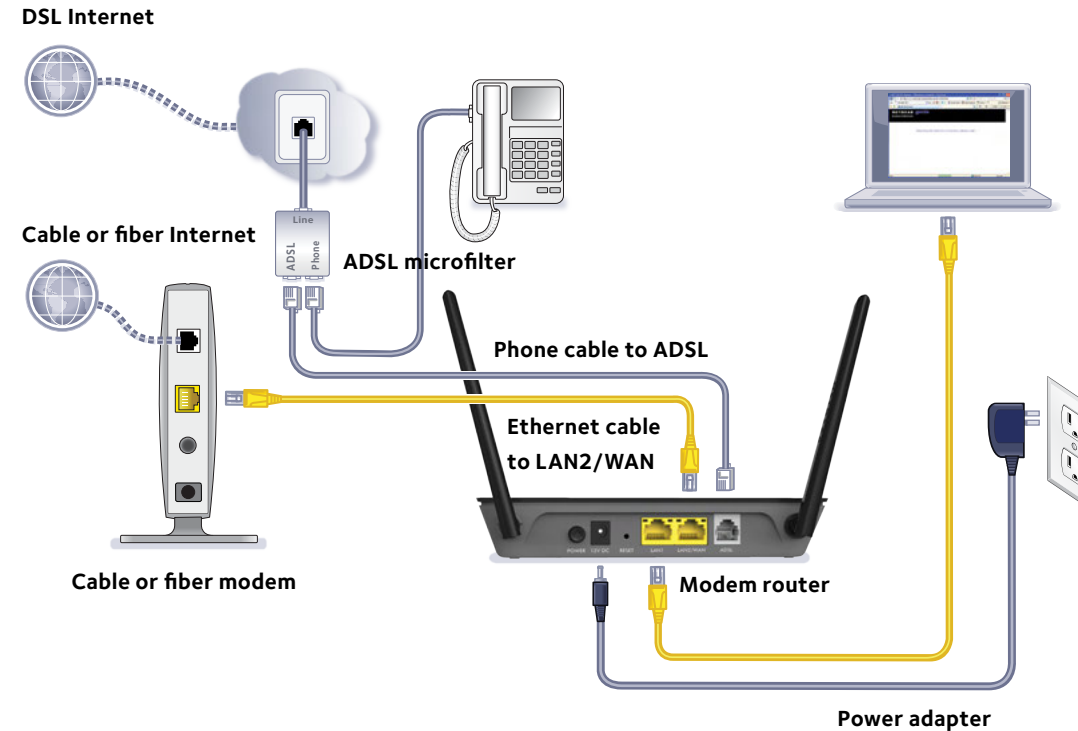
Use an Ethernet cable to connect the cable or fiber modem to the yellow LAN2/WAN port on the modem router.

2. Power on the modem router.

Connect the power adapter to the modem router and plug it into an electrical outlet.

Wait for the Power LED  to light green.

If the Power LED does not light, press the **Power On/Off** button.



3. Connect a computer.

Use an Ethernet cable to connect your computer to a yellow Ethernet port on the modem router.

You can also use WiFi to connect. To connect with WiFi, use the WiFi network name and password on the product label.

4. Log in to the modem router.

Launch a web browser. NETGEAR genie displays.

If you do not see genie:

In the address field of the web browser, enter **www.routerlogin.net**. When prompted, enter **admin** for the user name and **password** for the password.

5. If you connected the modem router to a cable or fiber modem in Step 1, change the default connection method in NETGEAR genie.

- Select **ADVANCED > Setup > WAN Setup**.
- From the **WAN Preference** menu, select **Must use Ethernet WAN**.
- Click the **Apply** button.

Information for DSL Service

You can connect directly to a DSL line or to a fiber or cable modem.

If you are connecting to a DSL line, make sure that your DSL service is active before you install the modem router. You need the following information to install your DSL modem and connect to the Internet:

- **DSL user name and password.** This information is included in the welcome letter your DSL ISP sent you when you signed up for your service. Record your DSL Internet service account user name and password.
- **Your telephone number or DSL account number.** If you do not have voice service, you can use your DSL account number in place of a phone number.

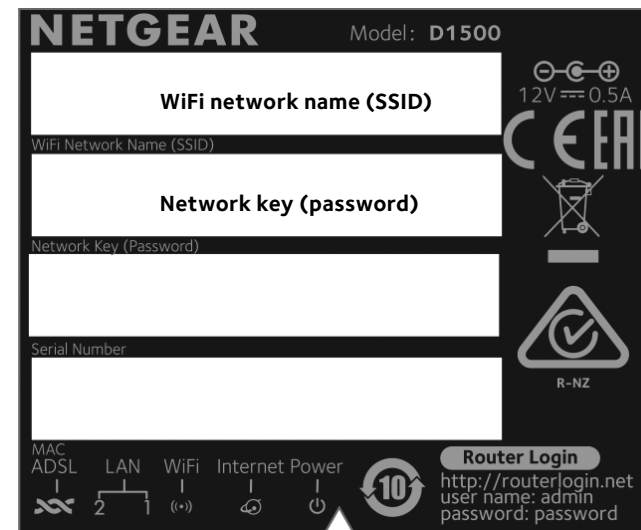
If you do not know or cannot locate your DSL user name and password, call your DSL Internet service provider (ISP). Be specific when speaking with your DSL Internet service provider. For example, you could say, "I need my DSL service user name and password. Can you help me?"

Note: If your provider says that they do not support NETGEAR services, tell them that you need only your DSL user name and password; you do not need support.

Join the Modem Router's WiFi Network

To connect your computer or WiFi device (such as a smartphone or gaming device) to your modem router's WiFi network:

1. Open the software utility that manages your WiFi connections on the computer or WiFi device that you want to connect to your modem router.
This utility scans for all wireless networks in your area.
2. Find and select your modem router's WiFi network name (SSID).
The SSID is on the product label.
3. Enter the modem router's password (or your custom password if you changed it) and click the **Connect** button.
The password is on the product label.
4. Repeat Step 1 through Step 3 to add other computers or WiFi devices.



WiFi Network Name and Password

This product has a unique WiFi network name (SSID) and network key (password). The default SSID and password are uniquely generated for every device, like a serial number, to protect and maximize your wireless security. This information is on the product label.

NETGEAR recommends that you use the preset WiFi settings because you can check the router label if you forget them. NETGEAR genie lets you change these settings if you want. If you do so, write down the new WiFi settings and store them in a safe place.

Support

Thank you for purchasing this NETGEAR product.

After installing your device, locate the serial number on the label of your product and use it to register your product at <https://my.netgear.com>. You must register your product before you can use NETGEAR telephone support. NETGEAR recommends registering your product through the NETGEAR website.

For product updates and web support, visit <http://support.netgear.com>. NETGEAR recommends that you use only the official NETGEAR support resources.

You can get this installation guide in multiple languages and the user manual online at <http://downloadcenter.netgear.com> or through a link in the product's user interface.

For the current EU Declaration of Conformity, visit http://support.netgear.com/app/answers/detail/a_id/11621/.

For regulatory compliance information, visit <http://www.netgear.com/about/regulatory/>.

See the regulatory compliance document before connecting the power supply.



August 2014

NETGEAR, Inc.
350 East Plumeria Drive
San Jose, CA 95134, USA

NETGEAR, the NETGEAR logo, and Connect with Innovation are trademarks and/or registered trademarks of NETGEAR, Inc. and/or its subsidiaries in the United States and/or other countries. Information is subject to change without notice. © NETGEAR, Inc. All rights reserved.